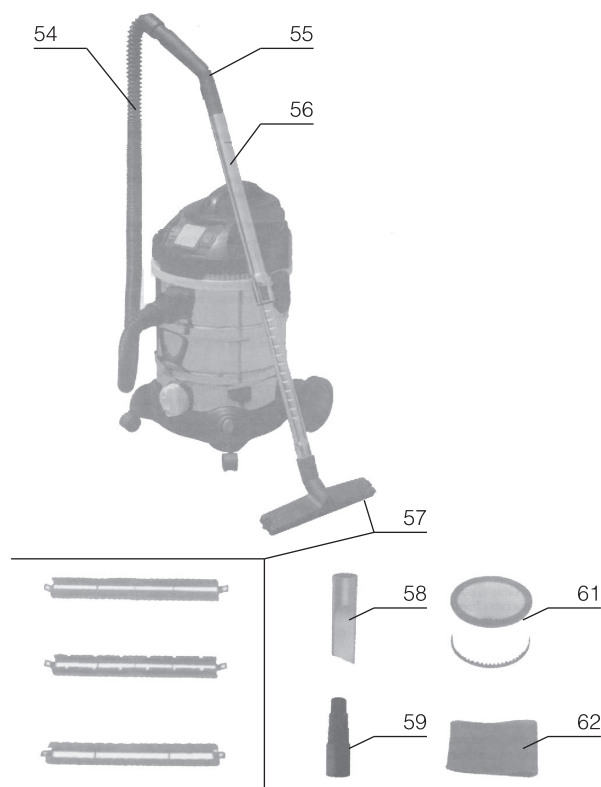
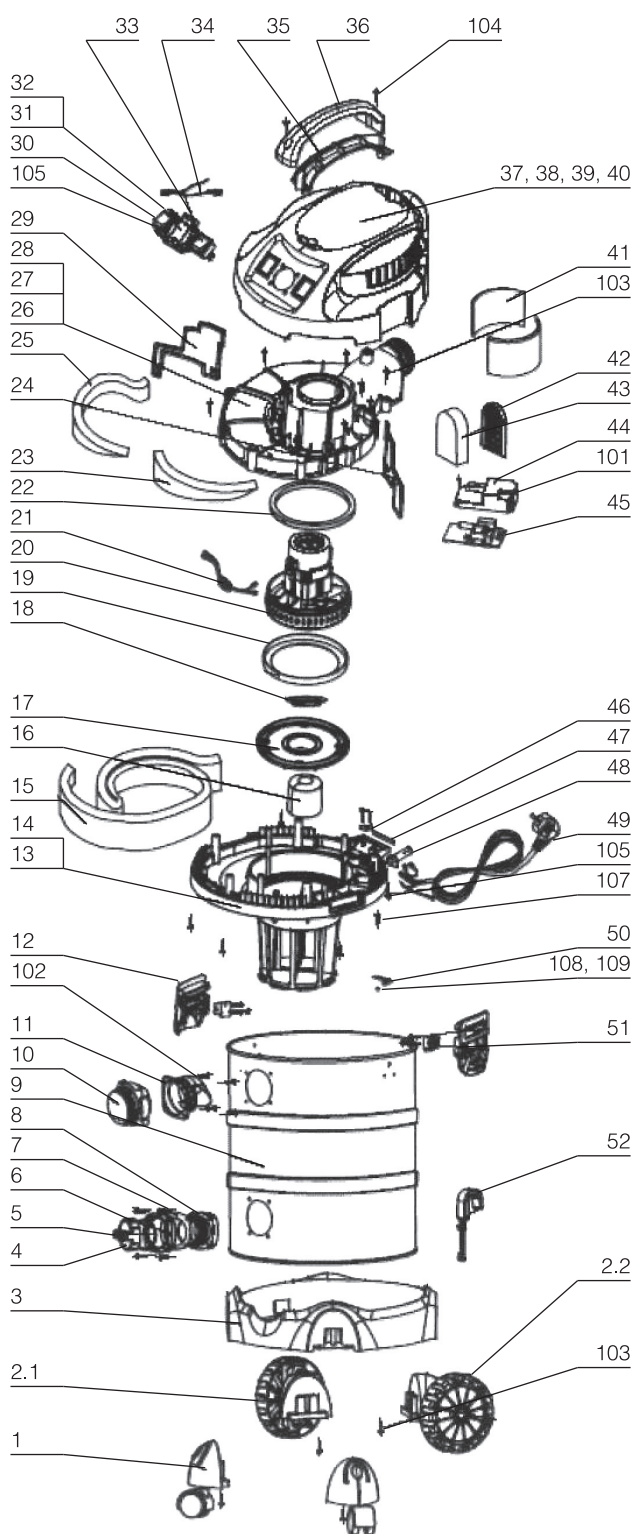


WALLPRO® POWER VACUUM DE-30L

Spare Parts Diagram



**CARBON BRUSH
DE-30L-53**



**CLOTH DUST BAG
DE-30L-60**



**PAPER DUST BAG
DE-36-423**

*Use only genuine Wallpro® parts on Wallpro® brand power tools. Using other brand parts on Wallpro® tools may affect the operation of the product and void warranty. Repairs undertaken by parties other than a registered repair centre may void the product warranty. Please contact Wallboard Tools Customer Service to locate your nearest repair centre.

■ WALLPRO® POWER VACUUM SPARE PARTS

Code	Description	Code	Description
DE-30L-1	Metal castor	DE-30L-36	Upper handle
DE-30L-2-1	Big wheel right	DE-30L-37	Upper cover
DE-30L-2-2	Big wheel left	DE-30L-38	Anti-noise foam
DE-30L-3	Tank/drum base	DE-30L-41	Anti-noise foam
DE-30L-4	Waterspout cover	DE-30L-42	Protection web
DE-30L-5	Seal ring	DE-30L-43	Sponge
DE-30L-6	Waterspout	DE-30L-44	Waterproof cover
DE-30L-7	Drain inlet sponge loop	DE-30L-45	PCB
DE-30L-8	Waterspout seat	DE-30L-46	Cord clamp
DE-30L-9	Tank/Drum 30L steel	DE-30L-48	Sleeve
DE-30L-10	Suction seat	DE-30L-49	Cable
DE-30L-11	Suction press board	DE-30L-50	Connector
DE-30L-12	Metal clips	DE-30L-51	Power cable and clip seat
DE-30L-13	Lower cover	DE-30L-52	Cord hook
DE-30L-14	Sponge loop	DE-30L-53	Carbon brush
DE-30L-15	Anti-noise Foam	DE-30L-54	Suction
DE-30L-16	Floater cup	DE-30L-55	Air adjustable elbow
DE-30L-17	Tray	DE-30L-56	Telescopic tube
DE-30L-18	Plastic fence	DE-30L-57	Brush nozzle set
DE-30L-19	Seal ring	DE-30L-58	Crevice tool
DE-30L-20	Motor	DE-30L-59	Hose adaptor
DE-30L-21	Inductor	DE-30L-60	Fabric dust bag
DE-30L-22	Seal Ring	DE-30L-61	Paper filter cartridge
DE-30L-23	Anti-noise foam	DE-30L-62	Foam filter
DE-30L-24	Air block board	DE-30L-101	Screw ST2.9x12
DE-30L-25	Anti-noise foam	DE-30L-102	Screw ST4.2x14
DE-30L-28	Air/outlet, damping bar, seal	DE-30L-103	Screw ST4.2x16
DE-30L-29	Air block board	DE-30L-104	Screw ST4.2x16
DE-30L-30	Switch	DE-30L-105	Screw ST4.2x14
DE-30L-31	Synchro socket	DE-30L-106	Screw ST3.9x8
DE-30L-32	Socket press board	DE-30L-107	Screw M4x10
DE-30L-33	Switch	DE-30L-108	Nut M4
DE-30L-34	Lead	DE-36-423	Paper Vacuum Bag
DE-30L-35	Lower handle		


■ Automatically switches on and shuts off with Power Sander

■ Includes reusable cloth bag

*Use only genuine Wallpro® parts on Wallpro® brand power tools. Using other brand parts on Wallpro® tools may affect the operation of the product and void warranty. Repairs undertaken by parties other than a registered repair centre may void the product warranty. Please contact Wallboard Tools Customer Service to locate your nearest repair centre.